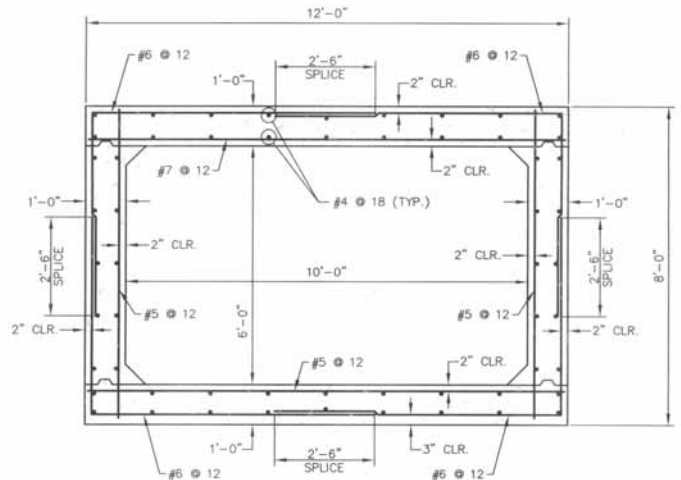
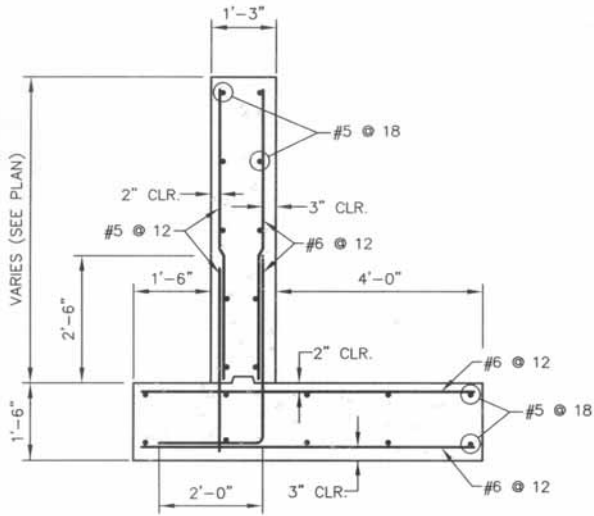


Culvert Design



Services Provided:

ELA Group, Inc. provides design and engineering services for a variety of culvert structures for various situations and locations. Culvert structures include both cast-in-place, precast, and a combination of cast-in-place and precast structure types. Our services begin with initial consultation and site analysis then moves to the design and engineering. Our staff can provide construction administration and observation services as requested.

Our culvert design projects range from smaller drainage way structures to larger stream crossings. ELA Group, Inc. provides this service for municipal and private clients.

743 S. Broad Street and 2013 Sandy Drive, Suite 103
 Lititz, PA 17543 State College, PA 16803
 (717) 626-7271 (814) 861-6328